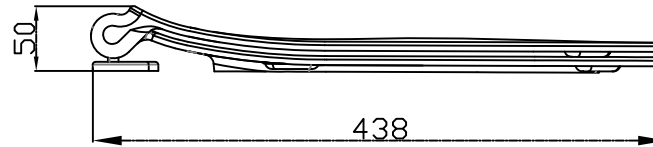
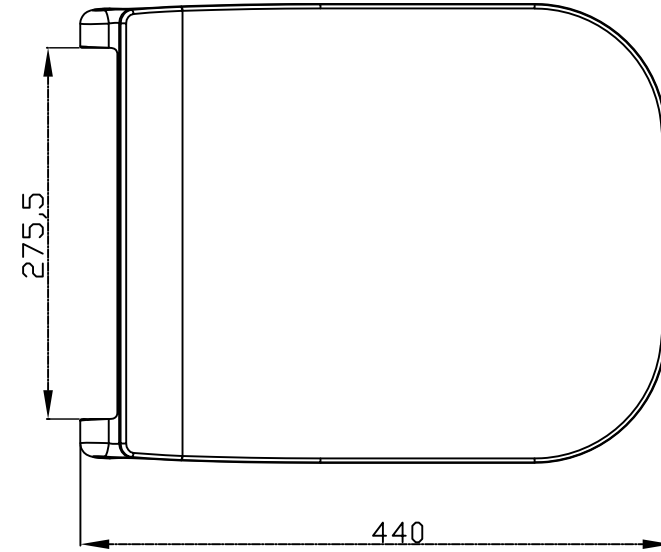
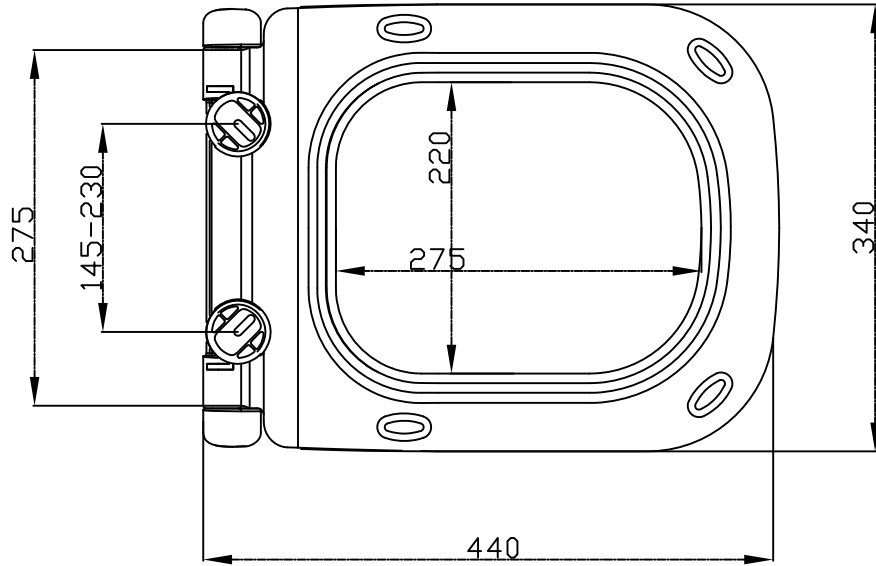




ISVEA

1962 ITALIA

TECHNICAL DRAWING / TEKNİK ÇİZİM



CODE /KOD : 40Z802001

DESCRIPTION / AÇIKLAMA : Z80 WC SEAT / Z80 KLOZET KAPAĞI

TOLERANCE / TOLERANS : 100 mm \pm 1 %