

Datasheet



CACHÉ® HONEYCOMB® SSR PCA® DC Aerator with DUAL-CORE® Technology STD Size Male M24x1

flow, stop and go®



Materials used

Body: POM
O-Rings: EPDM (black)
Silicone (blue)



Aerated stream

PCA® DUAL-CORE® aerators are made for all pressure conditions. Nominal flow is already reached at very low pressures, also providing much earlier aeration and thus a soft and comfortable feel. With SSR feature: adjustable swivel angle +/- 10°.

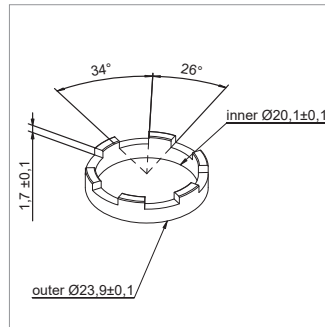
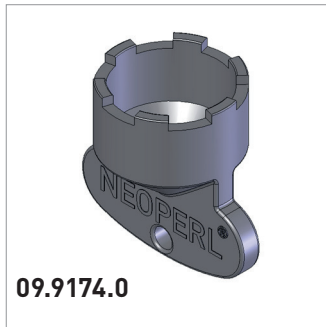
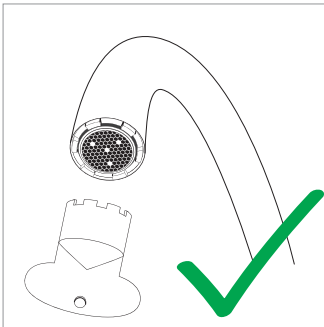


Model Overview

CACHÉ® HONEYCOMB® SSR PCA® DUAL-CORE®

Color coded flow rate (@ 60psi / 38°C)	Part No.	Wetted Surface Area (in mm²)
PCA® 1.0 gpm max. blue	40.6213.010	6492
PCA® 1.2 gpm max. pink	40.6214.010	6492
PCA® 1.5 gpm max. green	40.6215.010	6499
PCA® 1.75 gpm max. light blue	40.6217.010	6538
PCA® 2.1 gpm max. red	40.6216.010	6538

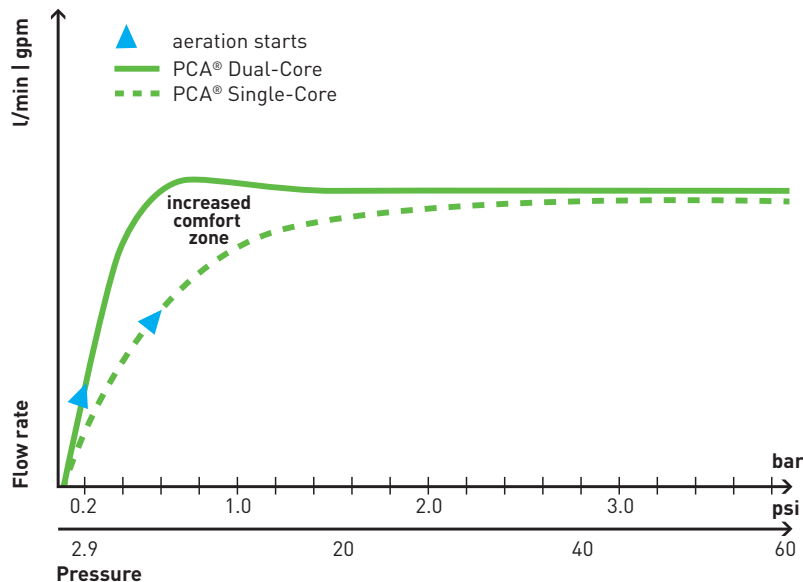
Assembly Instructions



ATTENTION!
Max. mounting torque **0.5 Nm**
Do not use silicone oil/grease

Use Neoperl key 09.9174.0 or spare aerator cartridge to assemble or exchange the aerator or refer to above dimensions for self-made assembly tools.

Flow Curve



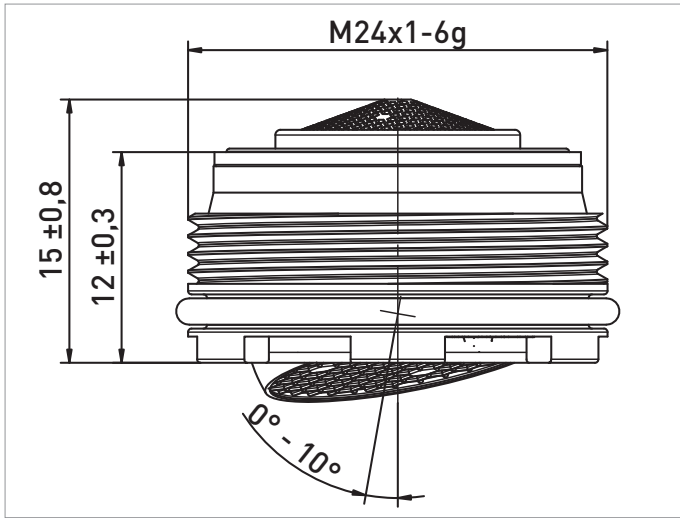
Datasheet

NEOPERL®

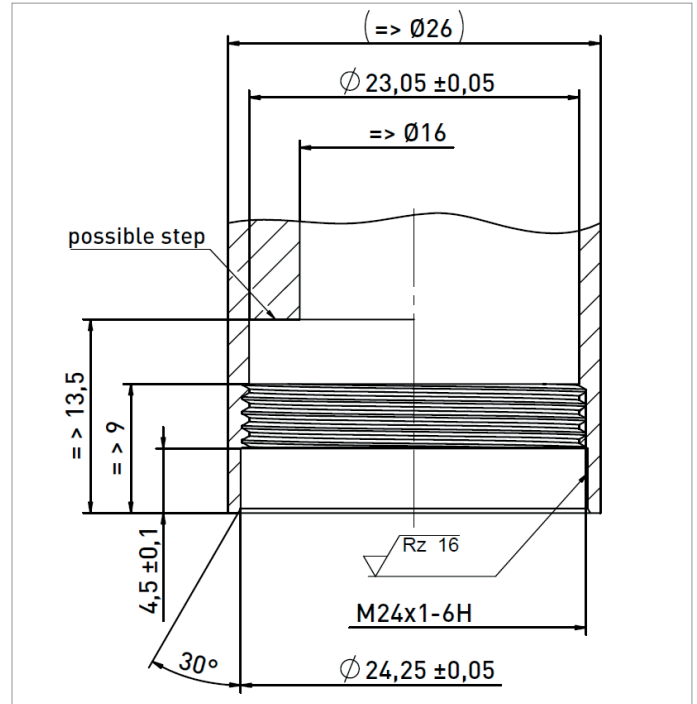
CACHÉ® HONEYCOMB® SSR PCA® DC Aerator with DUAL-CORE® Technology
STD Size Male M24x1

flow, stop and go®

Dimensions (in mm) according to EN246

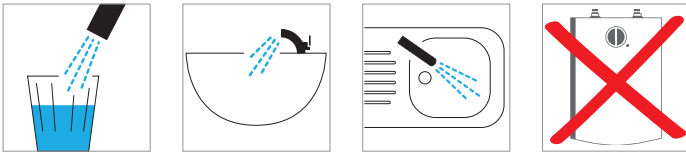


CACHÉ® HC SSR PCA® DC
For pressure resistance reasons, thread must be true to gage!
Screw aerator in until flush with spout end.



Recommended Mounting Dimensions

Application Areas



Drinking water only

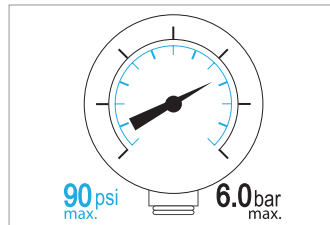
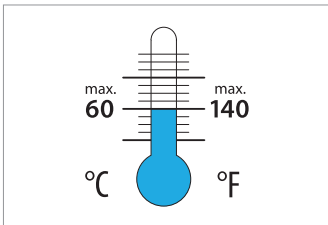
Basin faucet

Kitchen faucet

Not suitable for pressureless water heaters

Operating Conditions

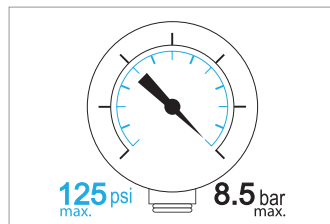
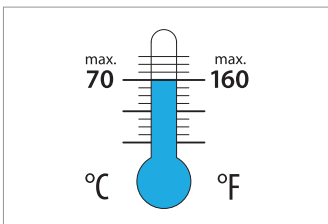
Continuous



ATTENTION!

Product may not be altered!
Shall be used for hot water application exceeding 70°C

Short-term (3 minutes max.)



Indicated pressure values refer to supply line pressure.
Avoid water hammer.

Trademarks are registered in various countries