

# Technische Daten/ Technical Data

## KLUDI BALANCE

single lever basin mixer  
DN 15

Ref.: 520260575

Finishes:  
05 chrome

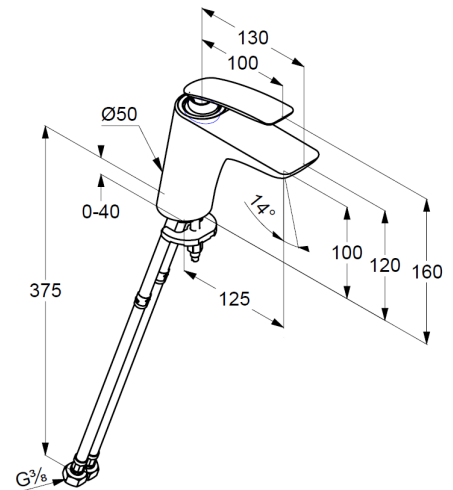
Product description  
Manufacturer KLUDI GmbH & Co. KG  
Typ: KLUDI BALANCE  
single lever basin mixer  
Ref.: 520260575

basin mixer  
single lever mixer  
1-hole mounted  
solid lever, metal  
aerator, S-Pointer M24 PCA  
ceramic cartridge with hot water safety device  
flow rate at 3 bar 5 l/min.  
flexible hoses G3/8 DVGW approved  
rapid installation set  
EU taxonomy: max. 6 l/min. -  
Substantial Contribution (SC) possible

## Produktabbildung/ Product picture



## Maßzeichnung/ Dimensional drawing



## Durchfluss/ Flow rate

