

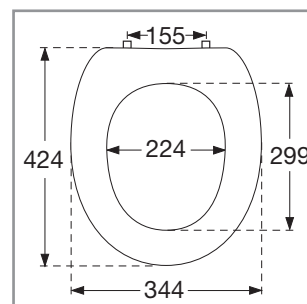
Toilet seat Amadea

Model

8810 61 Amadea toilet seat, incl. 8810 01 61 toggle hinge

Product Description

Amadea toilet seat in Wrap Over design made of colour in-grained duroplast with hinge in stainless steel and plastic
 – incl. toggle hinge in stainless steel
 – centre distance: 155 mm
 – load of ring seat: 240 kg
 – 10 year guarantee

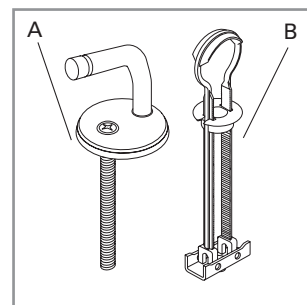


Colour Programme

R1 White (Alpin)
 R2 Star White
 R3 Pergamon
 S3 Edelweiß

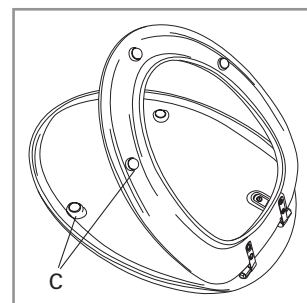
Hinge Finish

61 Stainless steel
 66 Noble Brass



Spare Parts

A) 8810 01 61 Toggle hinge
 B) 9218 96 00 Spare part for toggle hinge
 C) 9220 95 00 Buffers for seat and cover



Cleaning Instructions

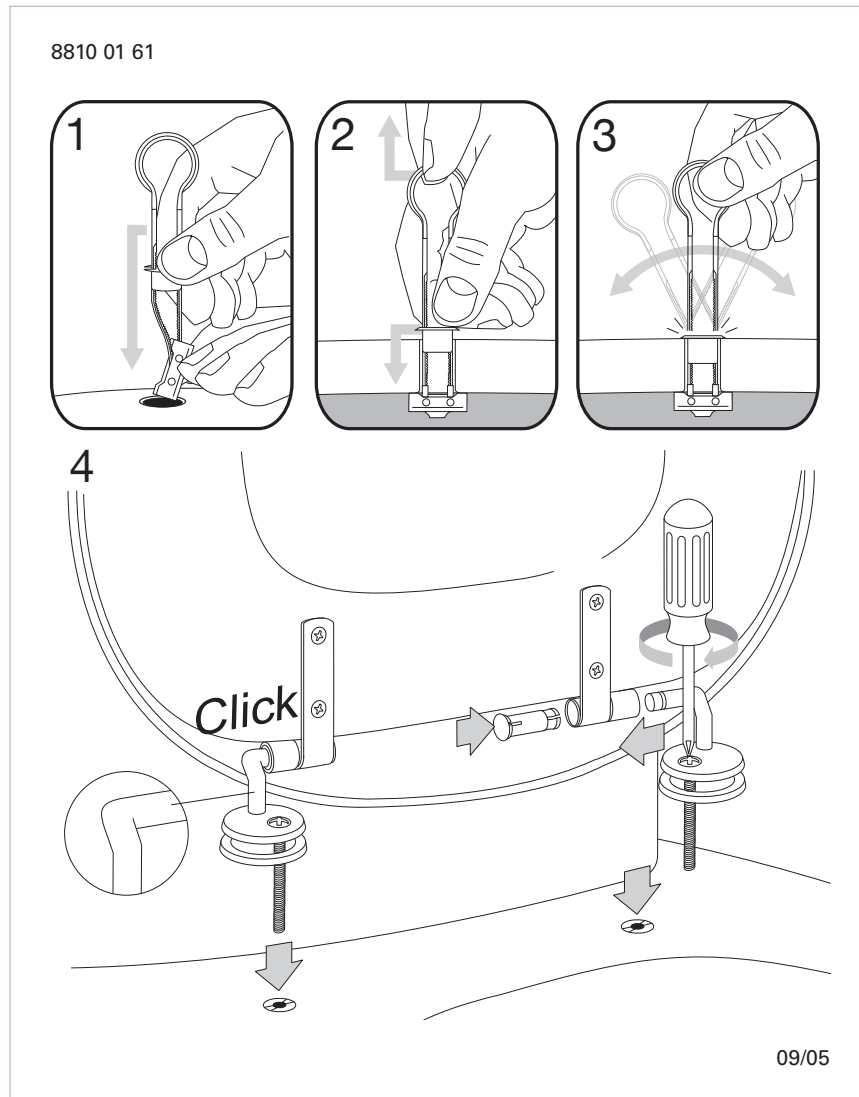
Use a mild soap solution. Seat and hinge should not be left damp, but be dried with a soft cloth. When using abrasive, corrosive or chlorine based cleaners for the bowl, avoid contact with seat and hinge as it may lead to damages or flash rust. Therefore, when cleaning the bowl, make sure that seat and cover are in an upright position until all the cleaner has been flushed away



Villeroy & Boch
 1748

Toilet seat Amadea

Instruction manual



Material Description

TOILET SEAT: The material is colour ingrained duroplast (UF A 10 = urea formaldehyde) that contains no environmentally hazardous substances. UF plastic comprises 67% urea formaldehyde resin, 28% cellulose, as well as 5% minerals, pigments, lubricants and moisture content. The raw material from the supplier contains less than 0,03% formaldehyde after a special curing process.

BUFFERS: EVA (copolymer made of ethylene and vinyl acetate).

MOUNT/HINGE: Stainless steel.

Guarantee

The guarantee includes faults or defects in the material of our products within a periode of 10 years. Products subject to minor technical modifications and design deviations E. & O.E.