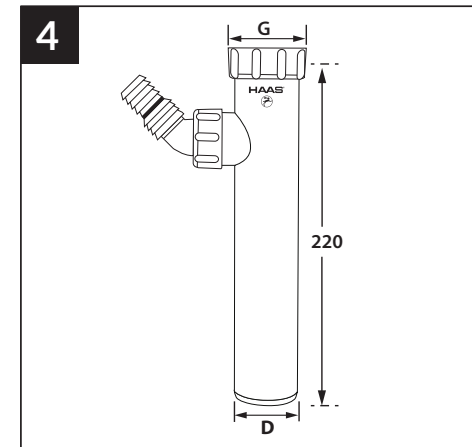
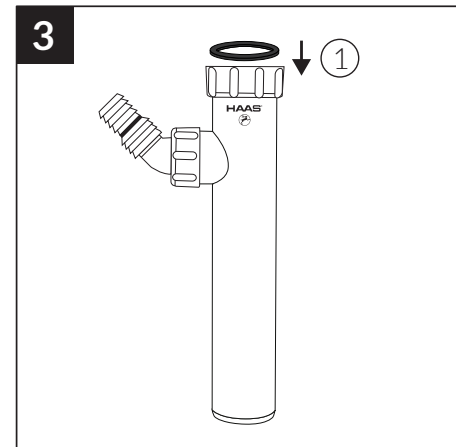
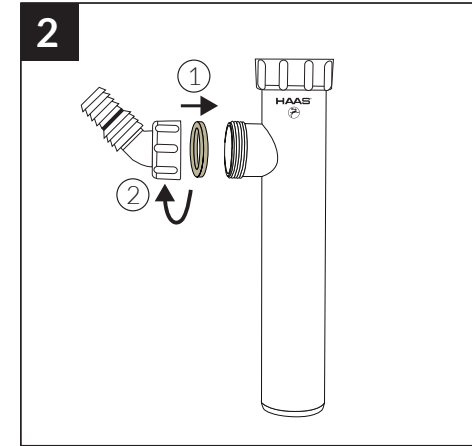
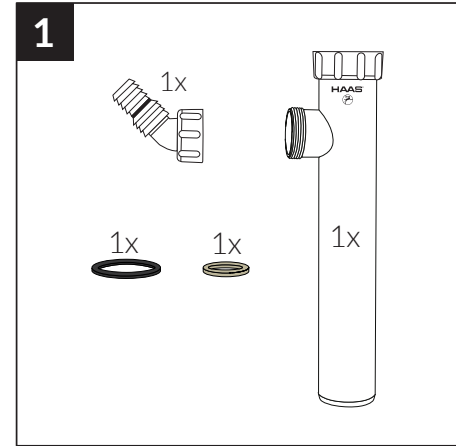
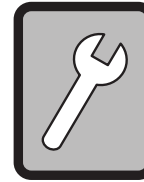


G = 1½"



G = 1½"