

IN & OUT

Drop-in washbasin, round, 400 x 400



DIMENSIONS

Length	400 mm
Width	400 mm
Height	114 mm

COLOUR AND FINISH

716 Black matt

OPTIONS

112 - without tap hole, without overflow

Back glazed

Bowl length (mm) : 400

Bowl position : Central

Bowl width (mm) : 400

Fixing kit : Included

Glazed base

Installation type : Drop-in / Countertop

Internal Shape : 1 - Round

Material : Glazed steel

Net weight (kg) : 7.25

Overflow type : Standard

Plug and Waste : Included

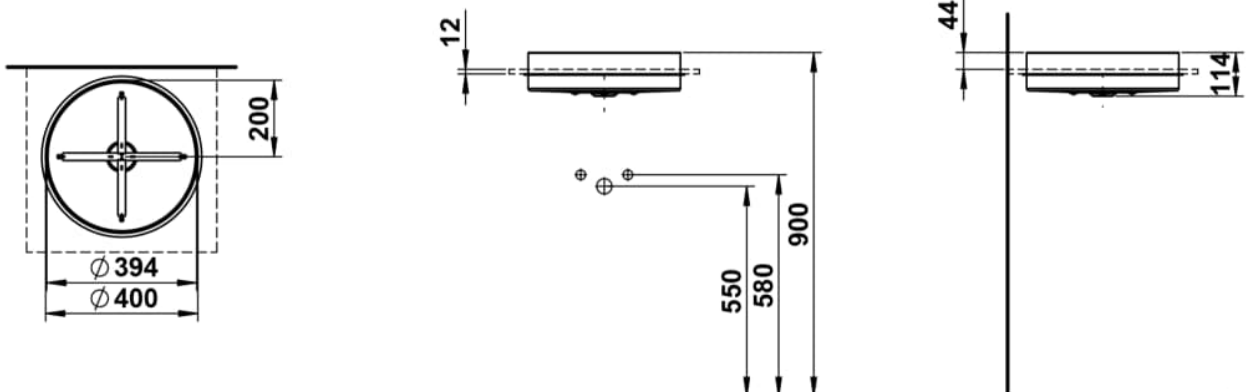
Trap : Not included

Waste : Included

Weight (Kg) : 0

Without overflow

TECHNICAL DRAWINGS





IN & OUT

In&Out is a wash area that creates spaces where the bathroom is not just a retreat but a statement of attitude. With an aesthetic balance between a recessed and a countertop basin, In&Out redefines the wash area. The washbasin neither sits fully recessed nor high on the surface but seems to float in spatial equilibrium—perfect for those who appreciate both sophistication and functionality.

In&Out suits a variety of spatial concepts—whether a residential bathroom, guest restroom, or upscale wellness area. Its clean lines allow for individual integration into different countertop designs, ideal for concepts that don't just decorate but define.

