

CLASSICS

Washbasin, wall-hung, glazed steel, shelf left, without tap bank, without tap hole, without overflow, including fixing kit



DIMENSIONS

Length	800 mm
Width	405 mm
Height	135 mm

COLOUR AND FINISH

<input type="checkbox"/>	000 White
--------------------------	-----------

OPTIONS

112 - without tap hole, without overflow

Asymmetrical

Back glazed

Bowl length (mm) : 800

Bowl position : Right

Bowl width (mm) : 405

Fixing kit : Included

Glazed base

Installation type : Wall-hung

Internal Shape : 6 - Rectangular

Material : Glazed steel

Net weight (kg) : 9.2

Overflow type : Standard

Plug and Waste : Not included

Shape : Rectangular

Taphole configuration : No tapholes

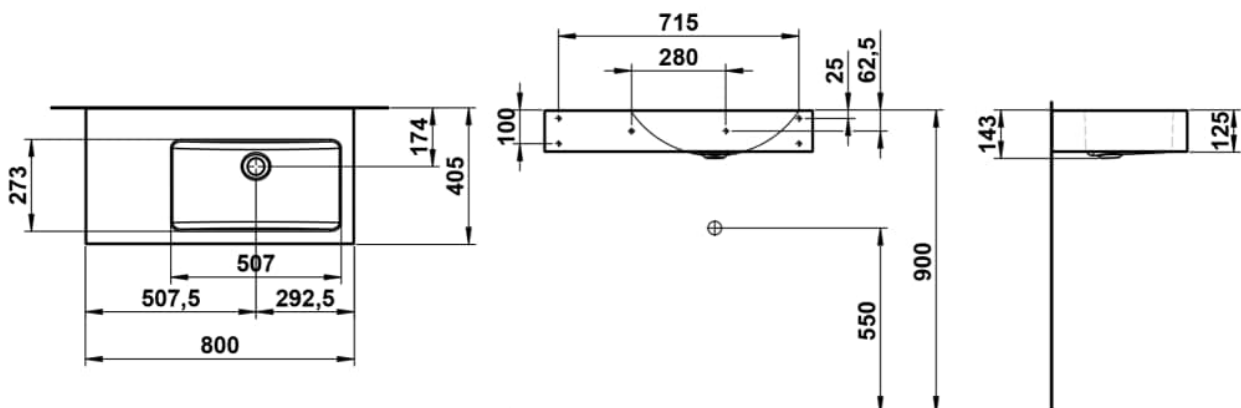
Trap : Not included

Waste : Not included

Weight (Kg) : 9.2

Without overflow

TECHNICAL DRAWINGS



CLASSICS

The washbasins of the CLASSICS series combine iconic design with an emotional depth that shapes the space—clear, authentic, unmistakable. Every detail reflects a clear design intention: restrained, yet full of character.

Reduced depths, precisely defined geometries, and finely proportioned basins made of glazed steel create a sense of visual calm—even in compact spaces. These washbasins integrate seamlessly into smaller layouts, contributing to the order and clarity of the overall architectural concept.

Designed for those who seek the extraordinary in everyday life—and who want their bathroom to make a personal statement.