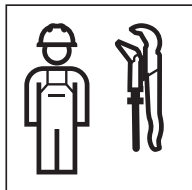


# INSTALLATION MANUAL

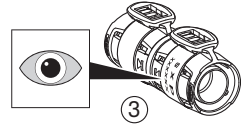
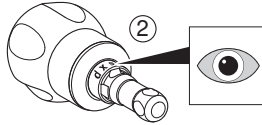
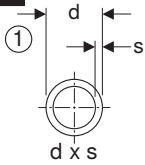
MONTAGEANLEITUNG  
INSTRUCTIONS DE MONTAGE  
ISTRUZIONI PER IL MONTAGGIO

**KNOW  
HOW  
INSTALLED**

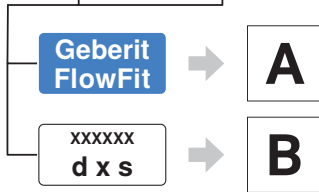
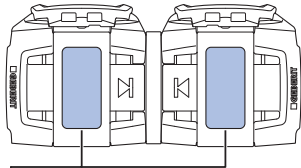




EN ISO 21003-2, Multilayer  
EN ISO 15875-2, Singlelayer PE-X  
EN ISO 15876-2, Singlelayer PB



|                  |              |              |
|------------------|--------------|--------------|
| 16 x 2,0–2,2     | 690.310.00.1 | 620.703.00.1 |
| 16–17 x 2,5–2,75 | 690.309.00.1 | 620.704.00.1 |
| 20 x 2,0–2,25    | 690.311.00.1 | 620.711.00.1 |
| 20 x 2,8–2,9     | 690.312.00.1 | 620.712.00.1 |
| 25 x 2,5–2,7     | 690.313.00.1 | 620.723.00.1 |
| 25 x 3,5–3,7     | 690.314.00.1 | 620.724.00.1 |
| 26 x 3,0         | 690.313.00.1 | 620.727.00.1 |



## Geberit FlowFit



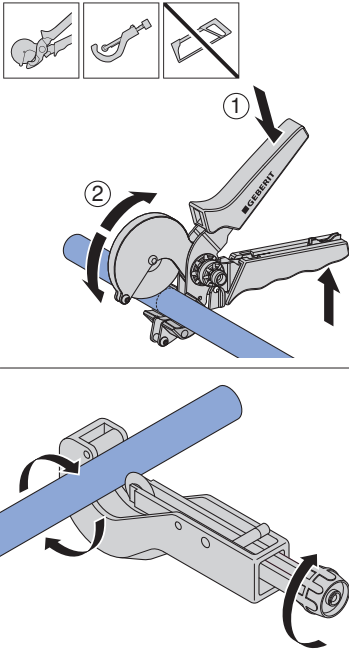
Installation  
Manual



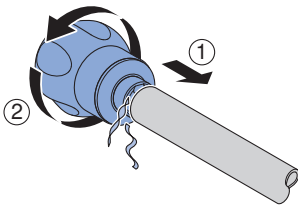
<https://doc.geberit.com/969.980.00.0>

# B

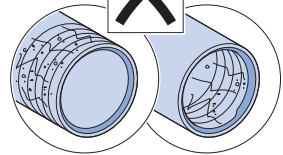
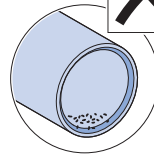
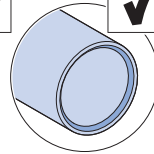
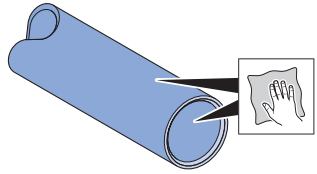
1



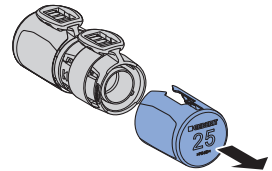
2



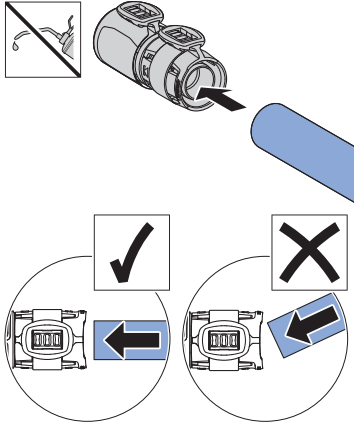
3



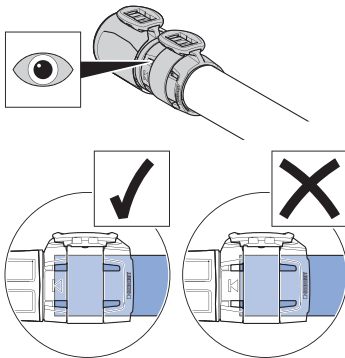
4



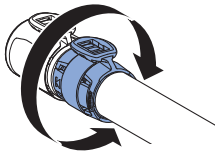
5



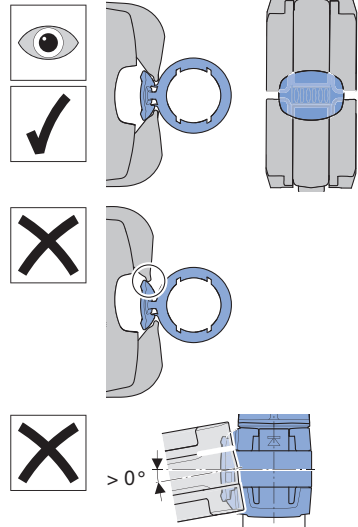
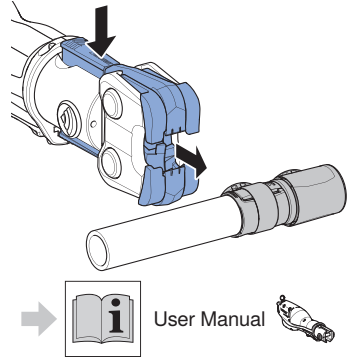
6

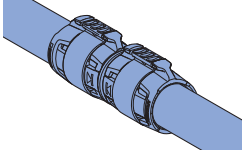
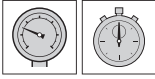


7



8





**Geberit International AG**  
Schachenstrasse 77, CH-8645 Jona  
[documentation@geberit.com](mailto:documentation@geberit.com)  
[www.geberit.com](http://www.geberit.com)

