

Technische Daten/ Technical Data

KLUDI COCKPIT DISCOVERY
DUAL SHOWER SYSTEM
DN 15

Ref.: 8020091-00

Finishes:
91 chrome/white

Product description
Manufacturer KLUDI GmbH & Co. KG
Typ: KLUDI COCKPIT DISCOVERY
DUAL SHOWER SYSTEM
Ref.: 8020091-00

thermostatic shower mixer
wall mounted
with place to keep 550mm
with ceramic shut-off valve 90°/90°
diverter head shower-hand shower
temperature handle with hot water safety at 40°C
protected against back flow
shower outlet G1/2
with fixing material

hand shower 1 S
1 spray pattern
volume
with cleaning system
connection G1/2
sieve seal

shower hose
plastic coated
with metal-effect
with conical nuts
anti twist
G1/2 x G1/2 x 1600mm

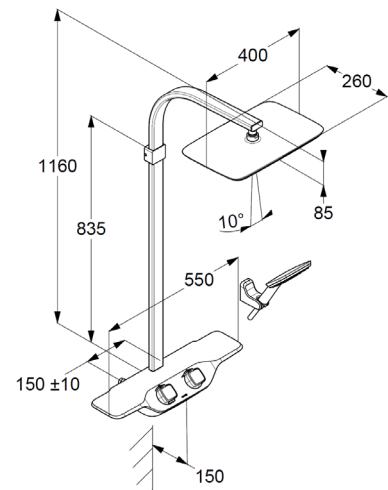
head shower 1 S
1 spray pattern
with cleaning system
connection G1/2
with ball joint
400mm x 260mm
sieve seal

shower hook
vertically adjustable
for shower hoses with conical nuts,
with fixing material
for rigid wall mounted

Produktabbildung/ Product picture



Maßzeichnung/ Dimensional drawing



Durchfluss/ Flow rate

