

## Technische Daten/ Technical Data

KLUDI RENON  
stand pillar tap  
DN 15

Ref.: 42118N575

Finishes:  
N5 Stainless Brushed Nickel PVD

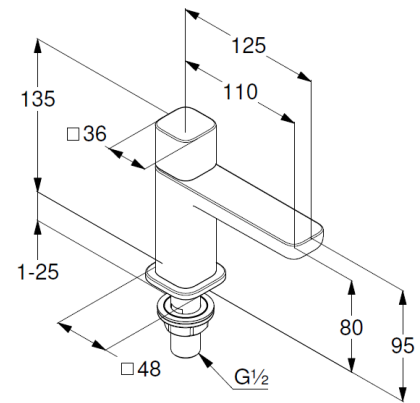
Product description  
Manufacturer KLUDI GmbH & Co. KG  
Typ: KLUDI RENON  
stand pillar tap  
Ref.: 42118N575

stand pillar tap  
1-hole mounted  
solid lever, metal  
aerator M18,5 PCA  
ceramic headparts 90°  
flow rate at 3 bar 4,5 l/min.  
connection G1/2  
shank-fixing  
without flexible high pressure supply tube  
or copper pipe Ø 10mm (KLUDI Ref.: 1620305)  
EU taxonomy: max. 6 l/min. -  
Substantial Contribution (SC) possible

### Produktabbildung/ Product picture



### Maßzeichnung/ Dimensional drawing



### Durchfluss/ Flow rate

