

# Technische Daten/ Technical Data

KLUDI ZENTA SL  
thermostatic shower mixer  
DN 15

Ref.: 351000538

Finishes:  
05 chrome

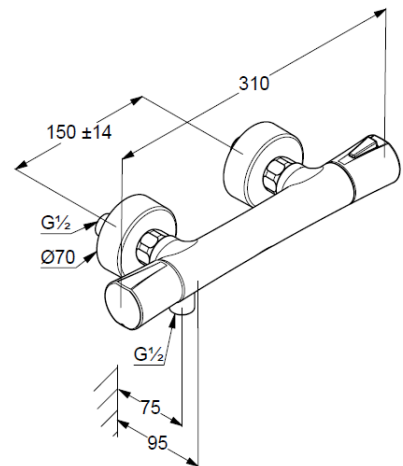
Product description  
Manufacturer KLUDI GmbH & Co. KG  
Typ: KLUDI ZENTA SL  
thermostatic shower mixer  
Ref.: 351000538

thermostatic shower mixer  
wall mounted  
temperature handle with hot water safety at 40°C  
protected against back flow  
shower outlet G1/2  
ceramic headparts 90°  
flow rate at 3 bar 18 l/min.  
S-unions G1/2 x G3/4  
with dirt-catcher sieve

## Produktabbildung/ Product picture



## Maßzeichnung/ Dimensional drawing



## Durchfluss/ Flow rate

