



FORM

Floorstanding washbasin, with wall connection, glazed steel, without tap bank, without tap hole, without overflow, including fixing set, drain valve

DIMENSIONS

| | |
|--------|--------|
| Length | 329 mm |
| Width | 367 mm |
| Height | 900 mm |

COLOUR AND FINISH

| | |
|--------------------------|-----------|
| <input type="checkbox"/> | 000 White |
|--------------------------|-----------|

OPTIONS

112 - without tap hole, without overflow

Back glazed

Bowl length (mm) : 329

Bowl position : Central

Bowl width (mm) : 367

Fixing kit : Included

Glazed base

Installation type : Floor-standing

Internal Shape : 1 - Round

Material : Glazed steel

Net weight (kg) : 12.4

Overflow type : Standard

Plug and Waste : Included

Shape : Round

Taphole configuration : 1 taphole in the middle

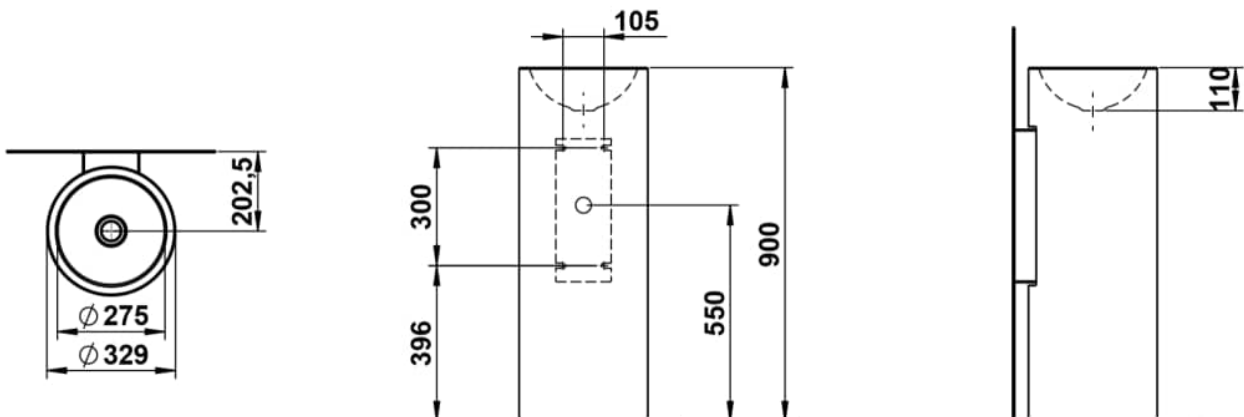
Trap : Included

Waste : Included

Weight (Kg) : 12.4

Without overflow

TECHNICAL DRAWINGS



FORM

The washbasins of the Form collection are an ode to the purity of design and the refinement of materials. In white, bicolor, matte black, or dark iron, they reveal their full beauty. Clear, flowing lines give them a subtle yet powerful presence, bringing a calm, timeless character to any space. Whether wall-mounted or freestanding, round, oval, or rectangular, Form combines minimalist architecture with precise craftsmanship. Soft, organic contours create a harmonious balance between geometric clarity and natural grace. Each basin expresses a sense of poise, aesthetics, and an appreciation for what truly matters. Seamlessly integrating into any bathroom concept, it convinces through perfect proportions, meticulous detailing, and well-considered functionality. The result is wash areas that radiate clarity and elegance – a design that remains timeless while harmoniously connecting modern demands with a gentle formal language.