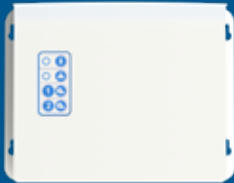


**NOT100052**

10.25

## Sanicubic 2 Classic L



**FR** NOTICE D'INSTALLATION

**UK** INSTALLATION INSTRUCTIONS

**DE** INSTALLATIONSHINWEISE

**IT** STRUZIONI PER L'INSTALLAZIONE

**ES** MANUAL DE INSTALACIÓN

**PT** MANUAL DE INSTALAÇÃO

**NL** INSTALLATIE VOORSCHRIFTEN

**SE** INSTALLATIONSANVISNING

**DK** INSTALLATIONSVEJLEDNING

**NO** INSTALLASJONSANVISNING

**FI** ASENNUSOHJEET

**HU** FELSZERELÉSI ÉS KEZELÉSI ÚTMUTATÓ

**PL** INSTRUKCJA INSTALACJI

**RU** ИНСТРУКЦИЯ ПО МОНТАЖУ И ЭКСПЛУАТАЦИИ

**RO** MANUAL DE INSTALARE

**CZ** NÁVOD K INSTALACI A POUŽÍVÁNÍ

**TR** KURULUM KILAVUZU

**EL** ΟΔΗΓΙΕΣ ΕΓΚΑΤΑΣΤΑΣΗΣ

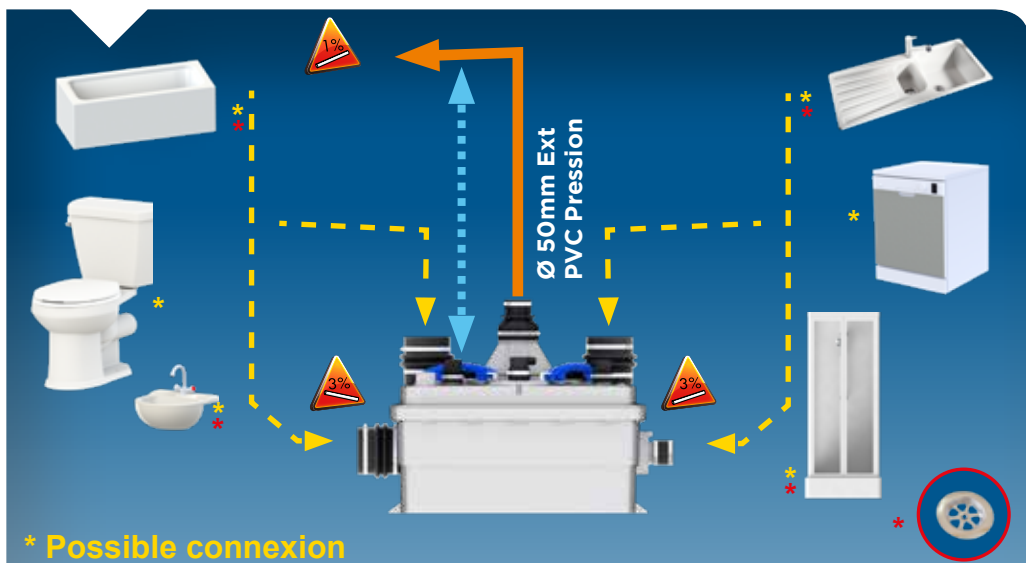
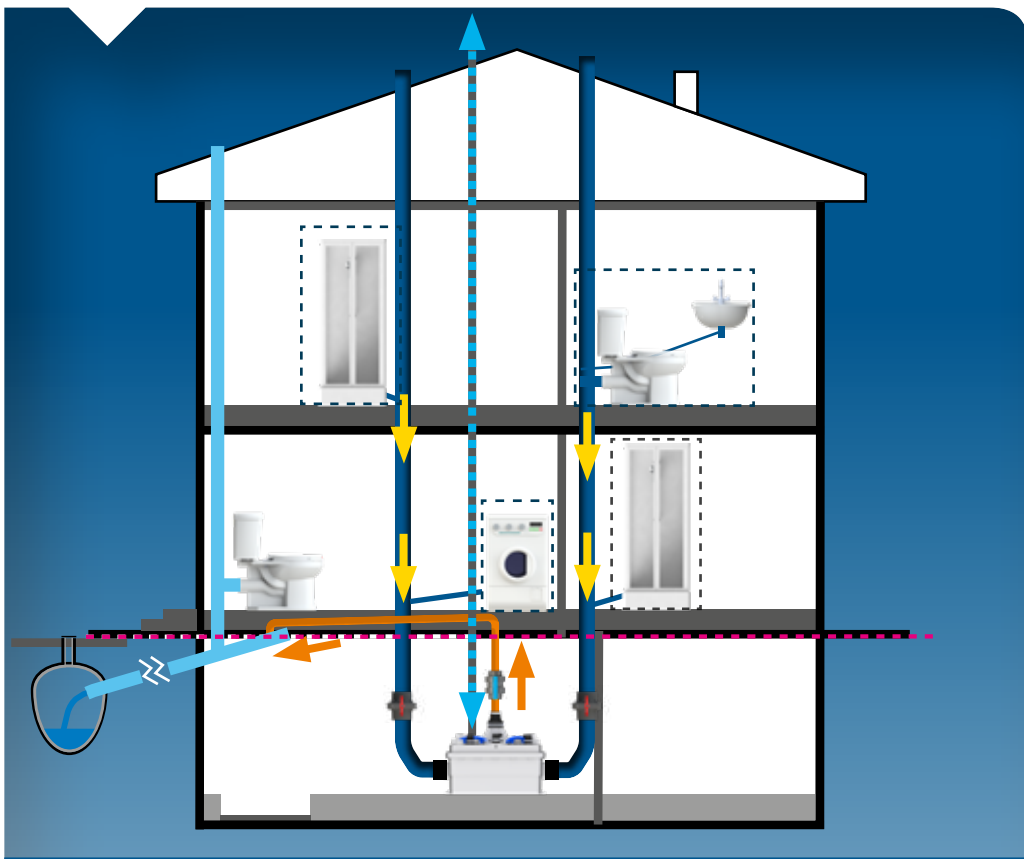
**CN** 用户应保留安装指南以备

**KR** 설치내용서

**HR** UPUTA ZA INSTALACIJU

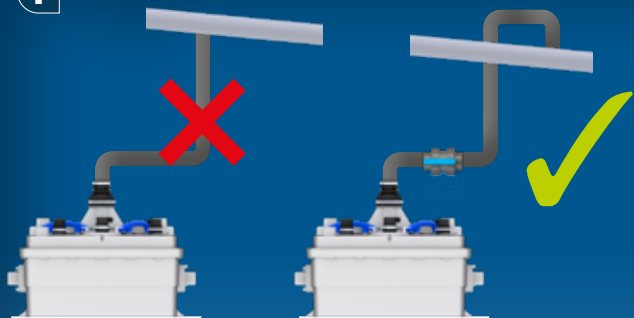
**AR** بيكرتالما قيرط



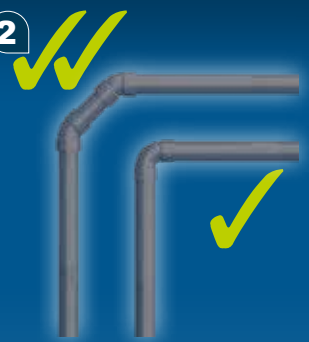


\* Possible connexion

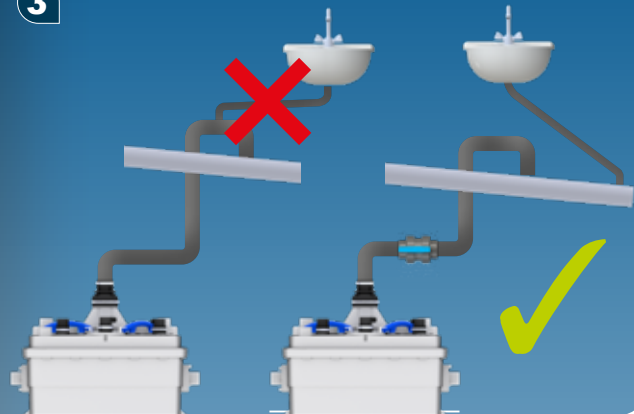
1



2



3



4



A



x1

B



x1 80x100

C



x1 50x70

D



x4 40/50

E



x7 40x60

F



x2 100/110

G



x4 100x120

H



x2

I



x2

J



x2

K



x1

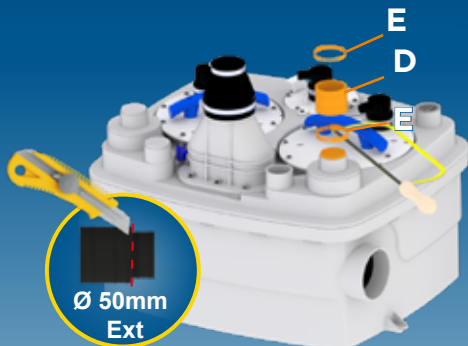
1

Ø 50mm Ext

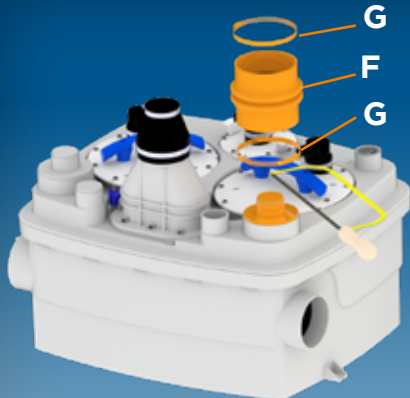


2

Ø 50mm Ext



Ø 100/110mm Ext

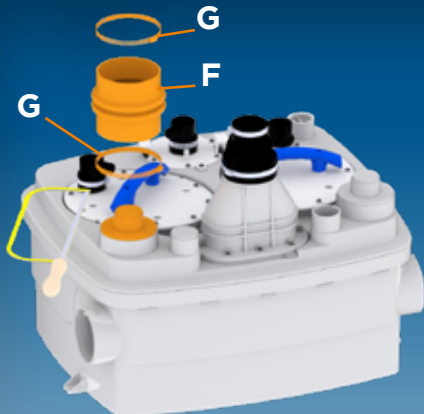


3

Ø 50mm Ext



Ø 100/110mm Ext

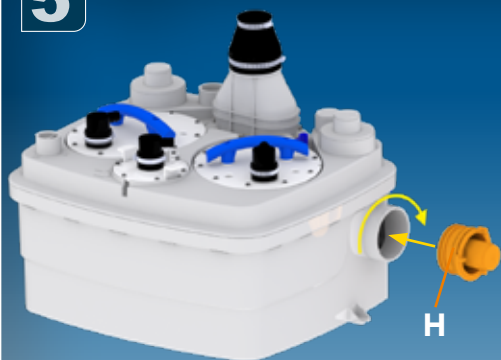


4

Ø 50mm Ext



5

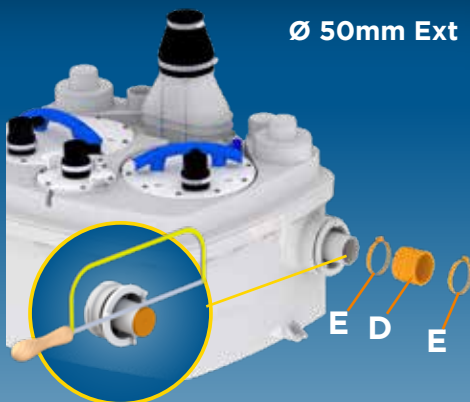


6

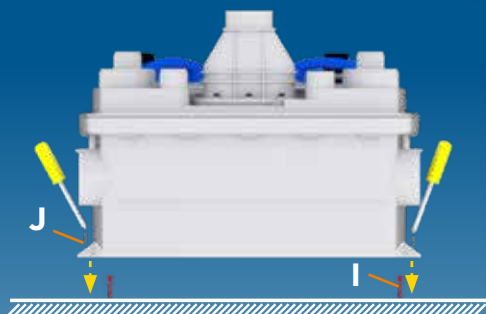
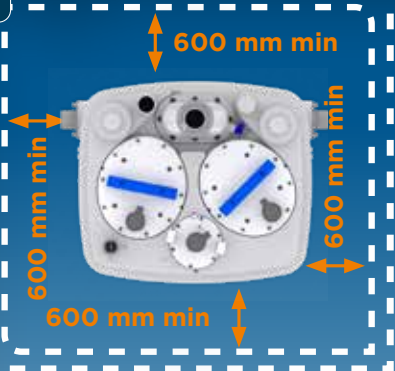
Ø 100/110mm Ext

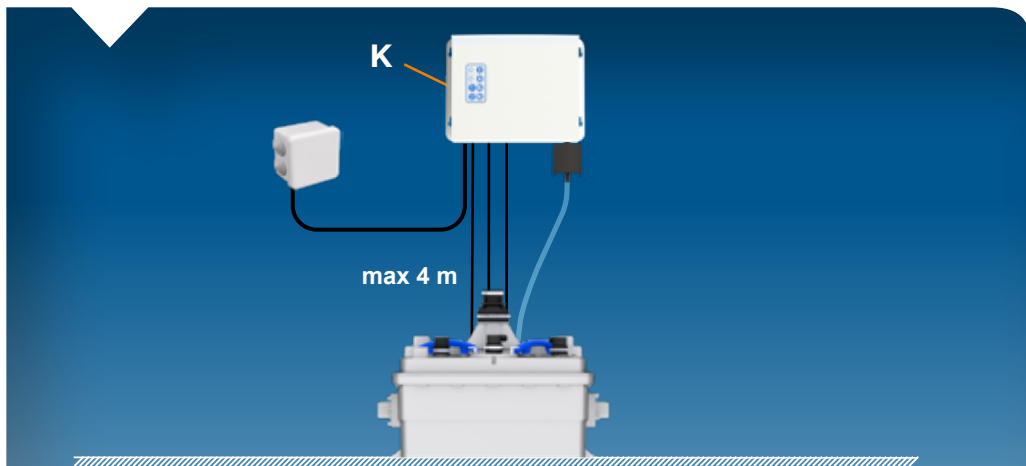
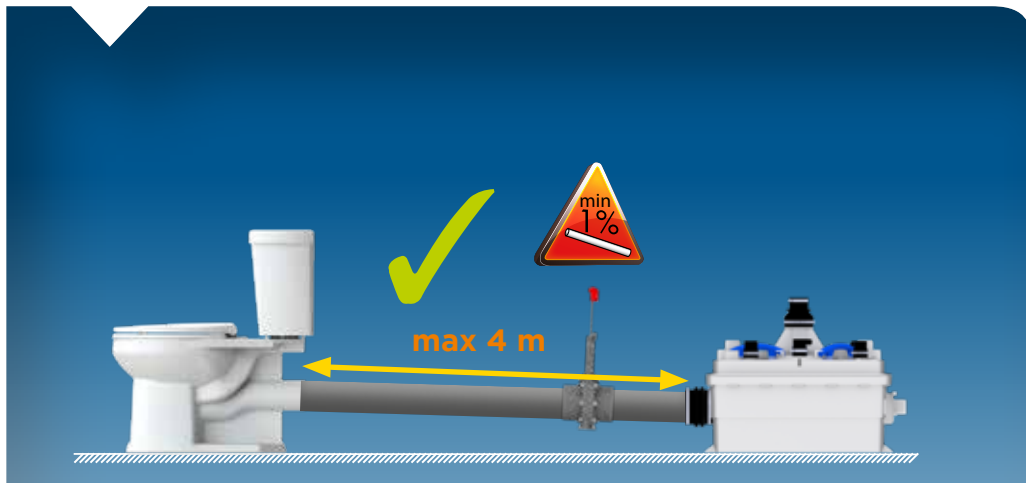
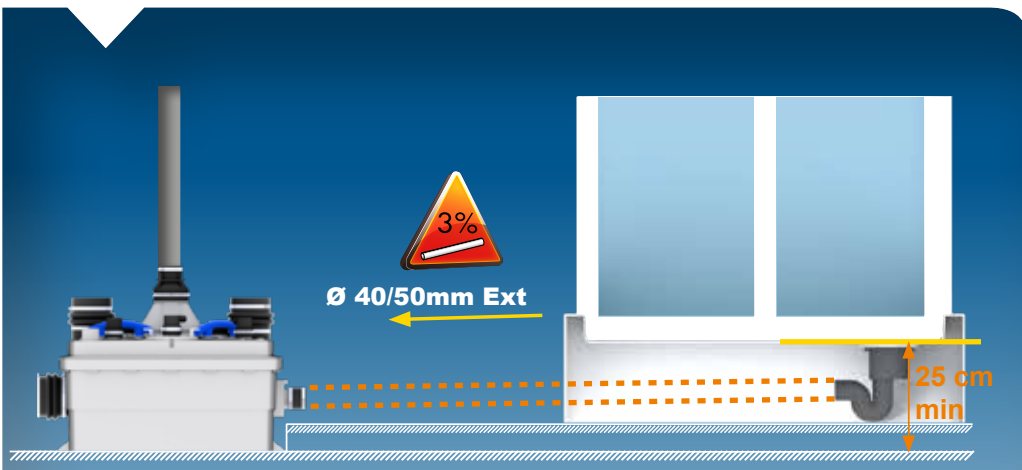


Ø 50mm Ext



7









# MAINTENANCE



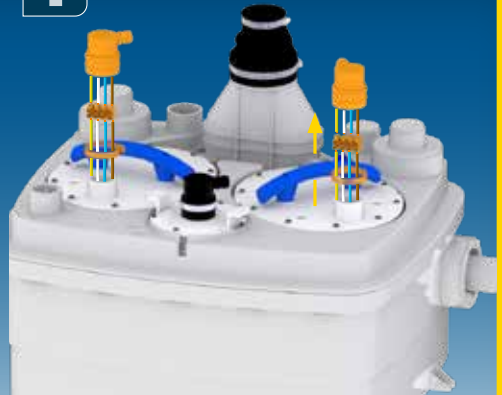
1



2



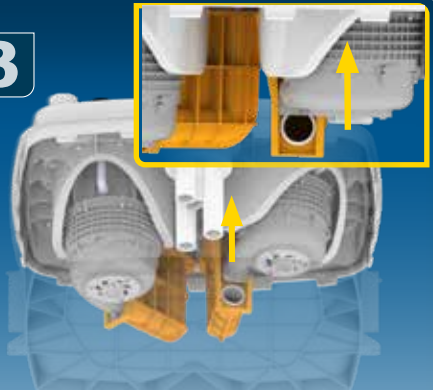
1

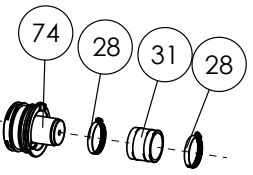
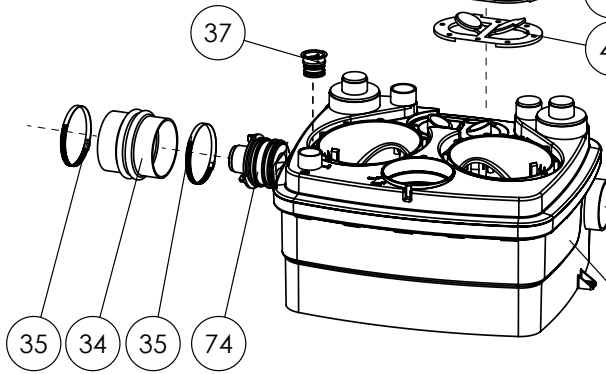
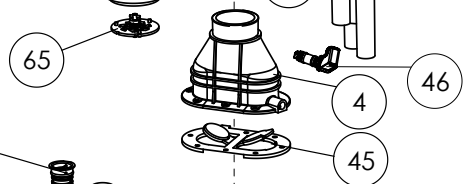
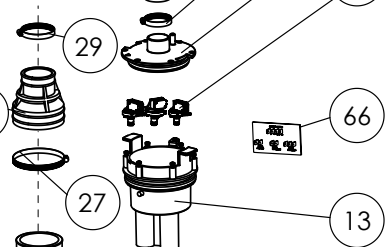
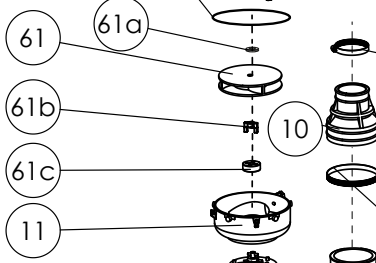
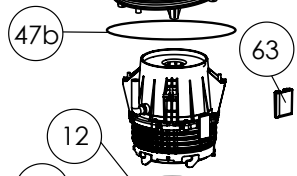
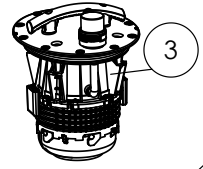
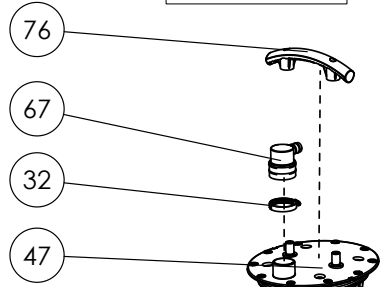
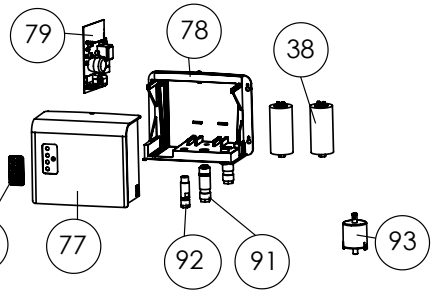
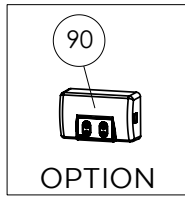


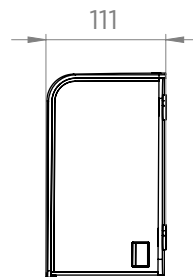
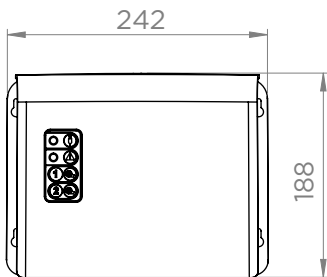
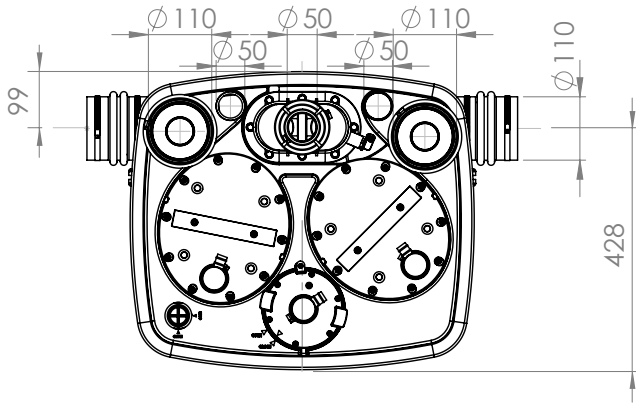
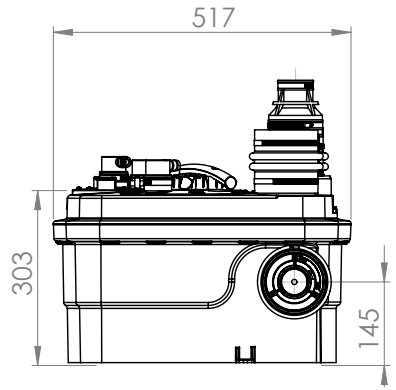
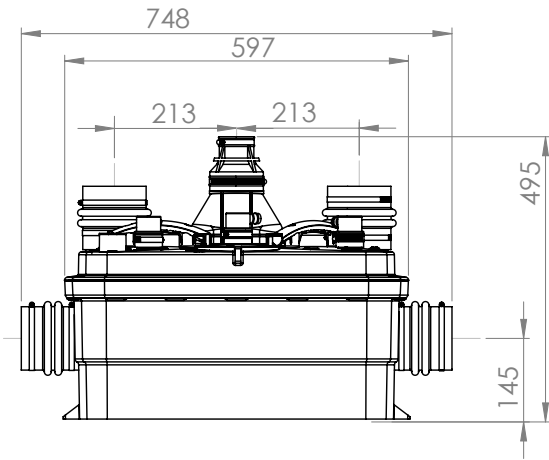
2



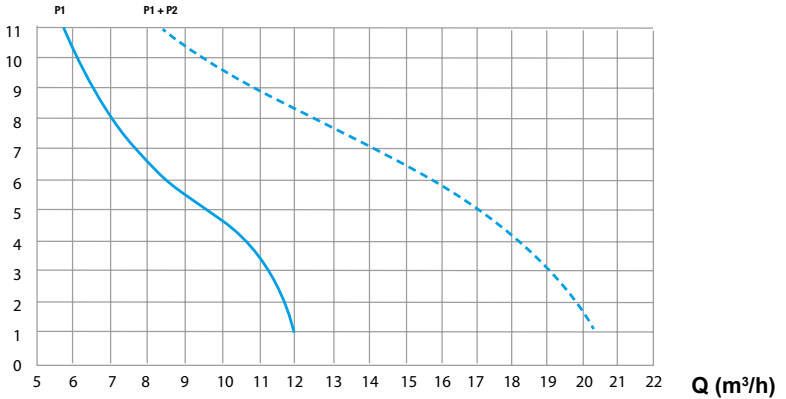
3





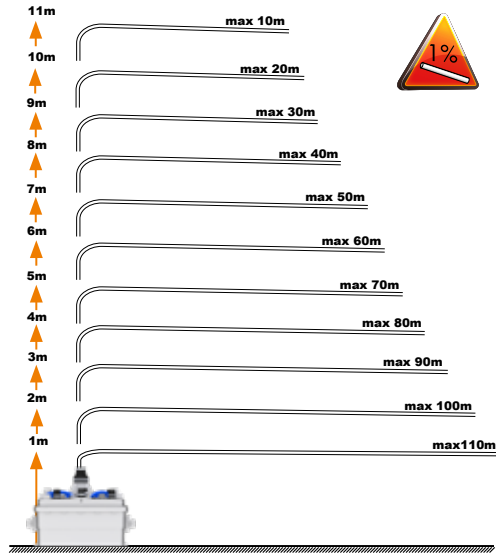


H (m)



**Sanicubic 2 Classic L  
EN12050-1**

**220-240 V - 50-60 Hz - 2x 1500 W - 6A -  $\oplus$  CLASS 1 - IP68 - 30 Kg  
Max temperature: 70°C for 5min - Tank volume : 45L**



**SERVICE HELPLINES**

**France**  
Tel. 01 44 82 25 55  
Fax. 03 44 94 46 19

**United Kingdom**  
Tel. 08457 650011 (Call from a land line)  
Fax. 020 8842 1671

**Ireland**  
Tel. 1850 23 24 25 (LOW CALL)  
Fax. +353 46 97 33 093

**Australia**  
Tel. +1300 554 779  
Fax. +61.2.9882.6950

**Deutschland**  
Tel. 0800 82 27 82 0  
Fax. (060 74) 30928-90

**Italia**  
Tel. 0382 6181  
Fax. +39 0382 618200

**España**  
Tel. +34 93 544 60 76  
Fax. +34 93 462 18 96

**Portugal**  
Tel. +351 21 911 27 85  
Fax. +35 21 957 70 00

**Suisse Schweiz Svizzera**  
Tel. +41 (0)32 631 04 74  
Fax. +41 (0)32 631 04 75

**Benelux**  
Tel. +31 475 487100  
Fax. +31 475 486515

**Sverige**  
Tel. +08-404 15 30

**Norge**  
Tel. +08-404 15 30

**Polska**  
Tel. (+4822) 732 00 33  
Fax. (+4822) 751 35 16

**РОССИЯ**  
Tel. (495) 258 29 51  
Fax. (495) 258 29 51

**Česká Republika**  
Tel. +420 266 712 855  
Fax. +420 266 712 856

**România**  
Tel. +40 724 364 543  
service@saniflo.ro

**Türkiye**  
Tel. +90 212 275 30 88  
Fax. +90 212 275 90 58

**Brazil**  
Tel. (11) 3052-2292

**中国**  
Tel. +86(0)21 6218 8969  
Fax. +86(0)21 6218 8970

**South Africa**  
Tel. +27 (0) 21 286 00 28

**India**  
Tel. +91 (0)22 6993 1900  
service@sfa pumps.in

**Vietnam**  
Tel. +84 (0)977889364

Service information : [www.sfa.biz](http://www.sfa.biz)

