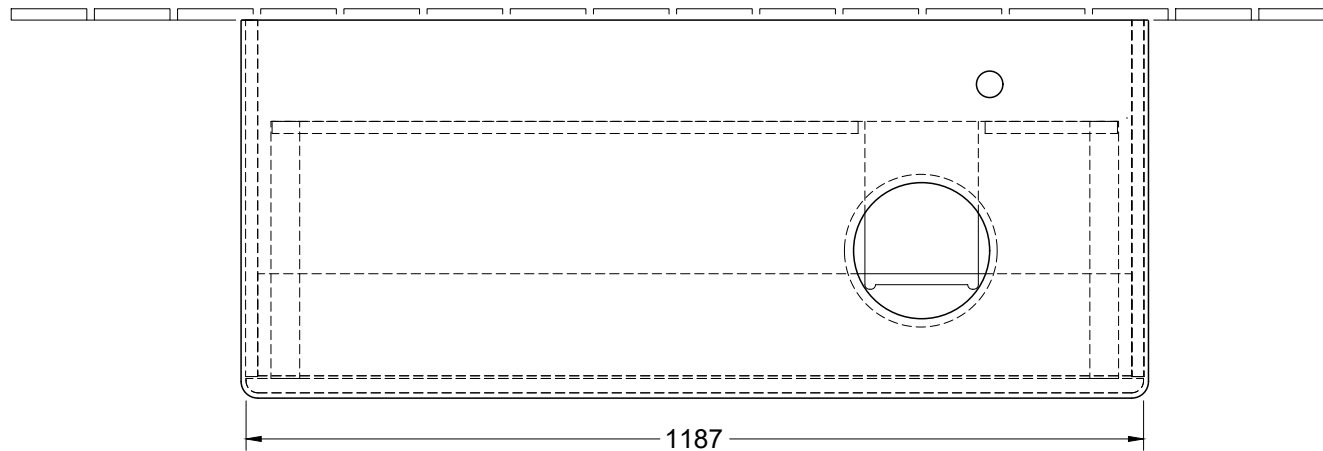



⚡ $\frac{N}{\perp} \frac{L}{\perp}$ 220 - 240V

Artikel	A1
4A72 40	620
4A73 51	620
4179 43	640
4178 41	640
4172 58	640
4A18 40	590
4A19 56	590
4A21 38	590
4A20 56	590
4A45 00/01	580
4A46 00/01	580
4A47 00/01	580
4A49 00/01	580

Antao K12ZUYXX / L12ZUYXX		 Villeroy & Boch 1748
V01 / 13.02.2023	1:10	