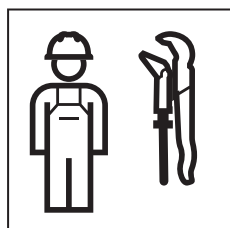
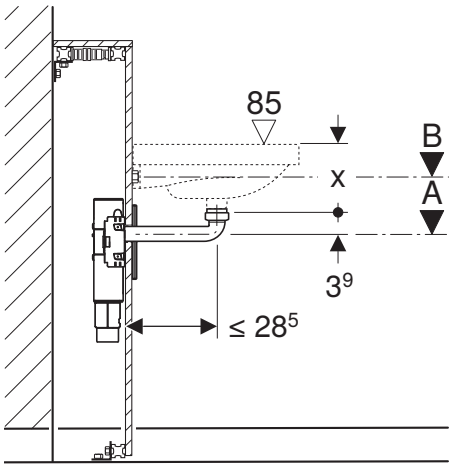
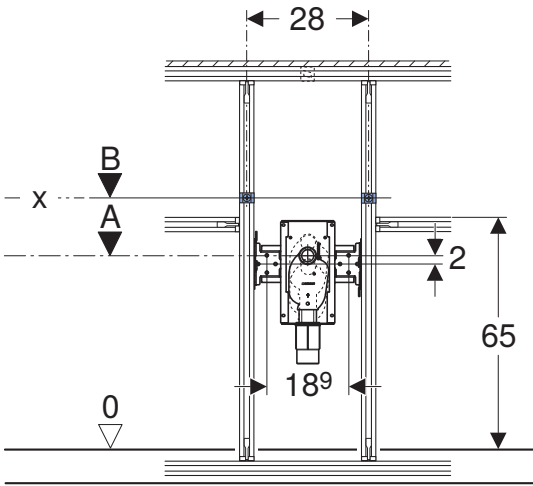
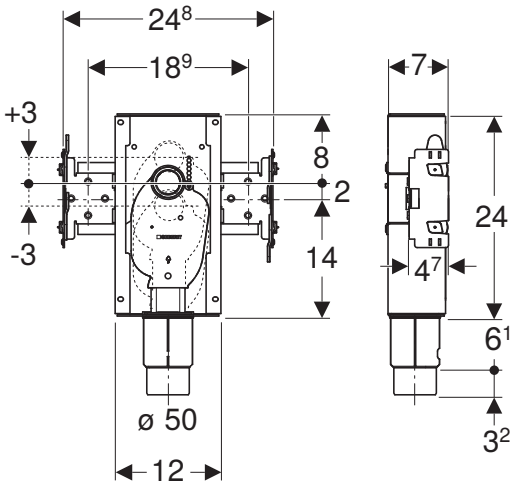


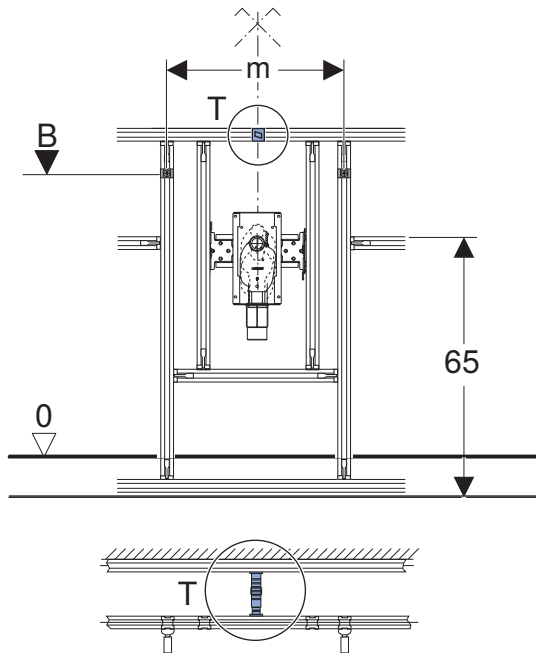
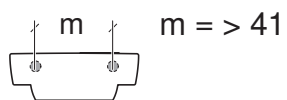
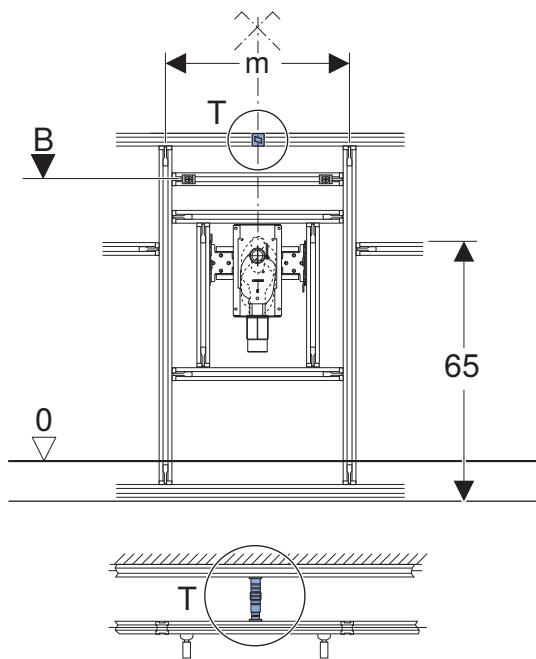
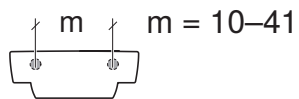
# INSTALLATION MANUAL

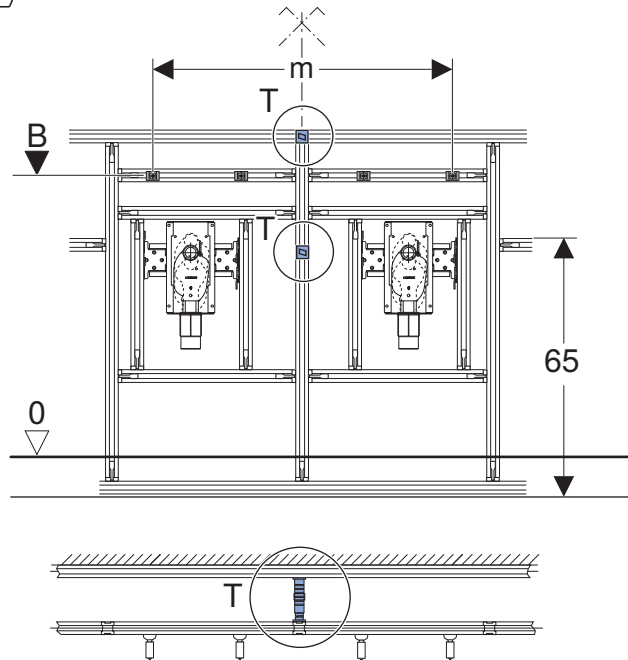
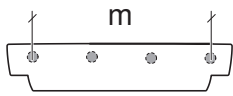
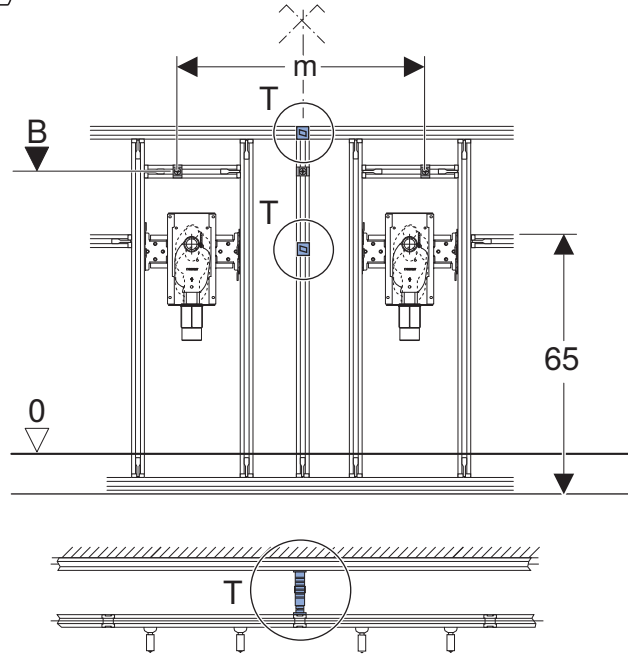
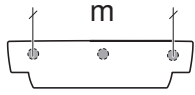
MONTAGEANLEITUNG  
INSTRUCTIONS DE MONTAGE  
ISTRUZIONI PER IL MONTAGGIO

**KNOW  
HOW  
INSTALLED**





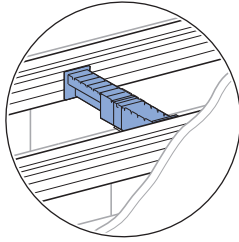




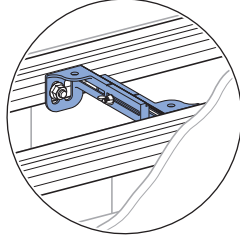


**i**

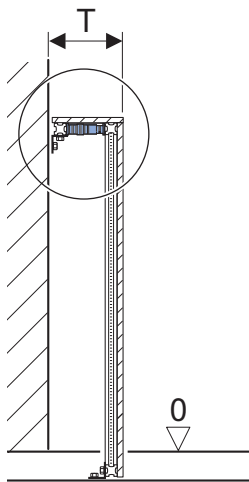
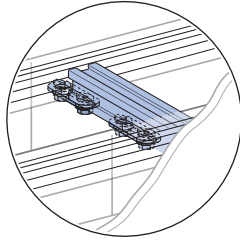
T 13-24



T 235-36

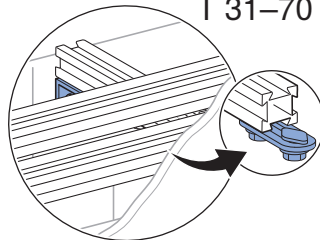


T 36-70

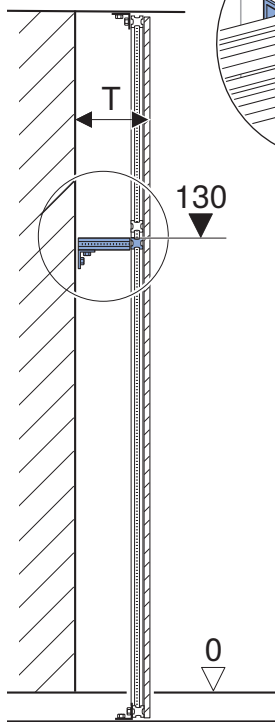
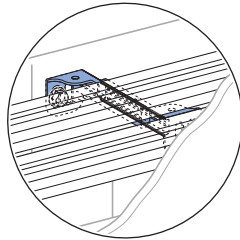


**i**

T 31-70

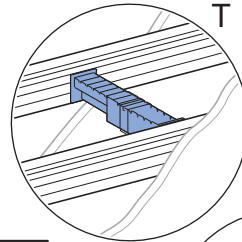


T 155-31

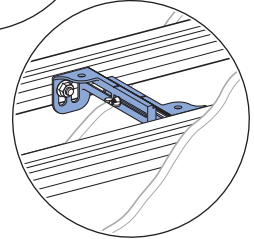


**i**

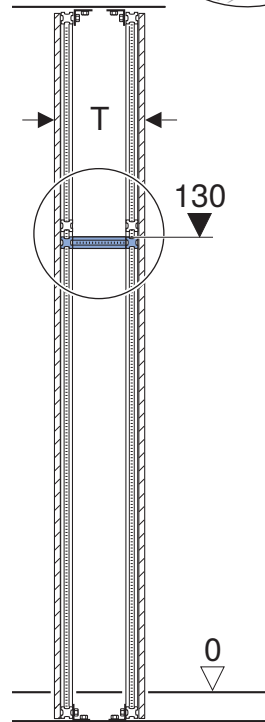
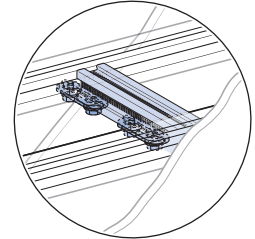
T 13-24



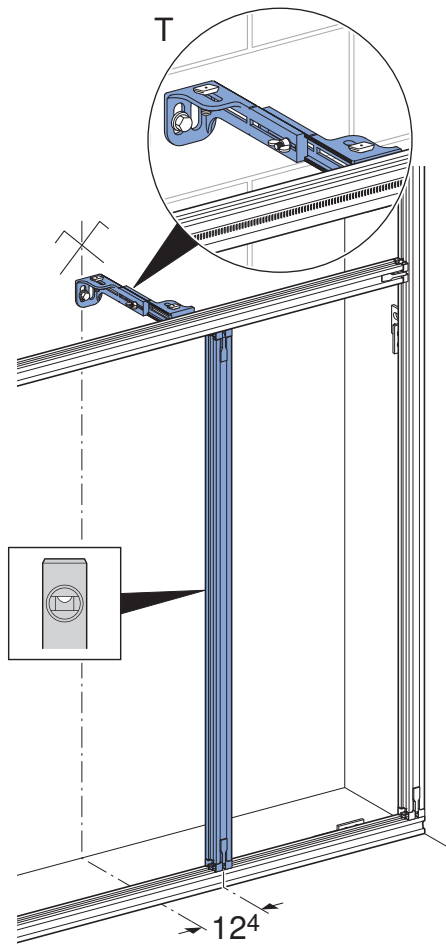
T 235-36



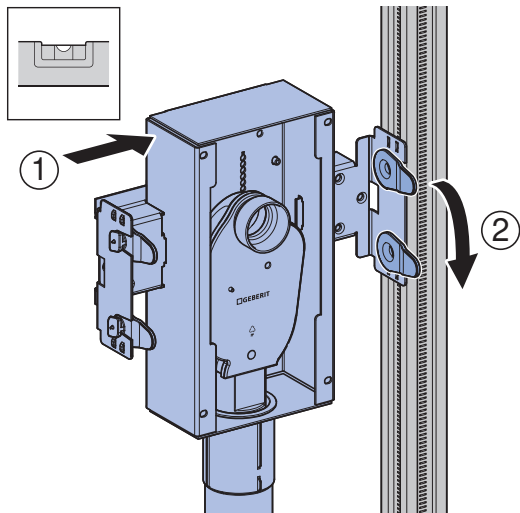
T 36-70



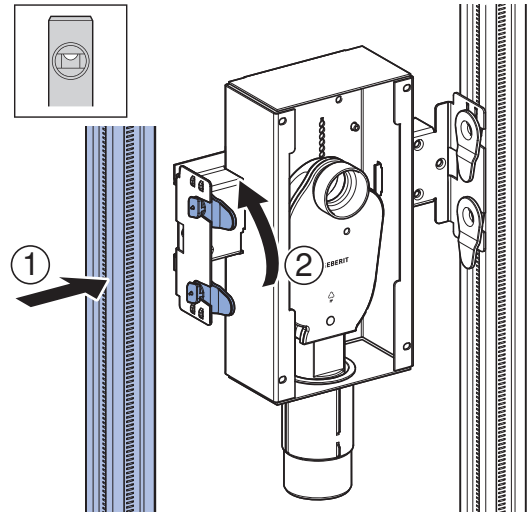
1



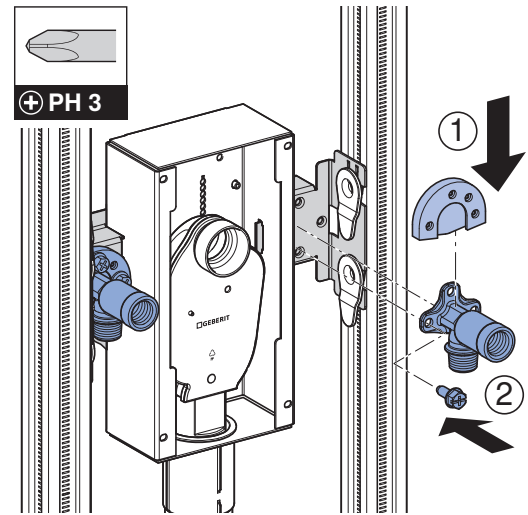
2



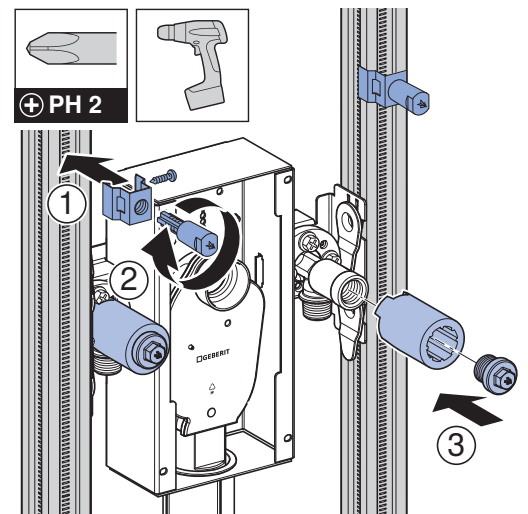
3



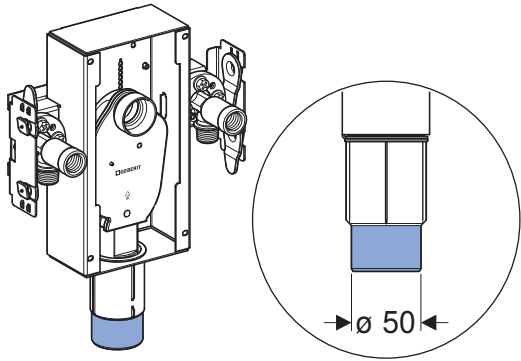
4



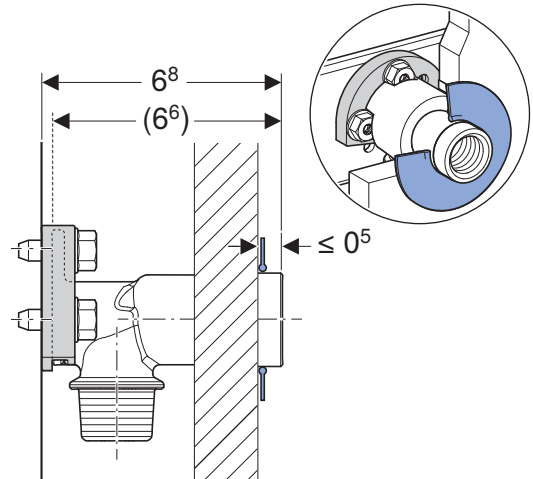
5



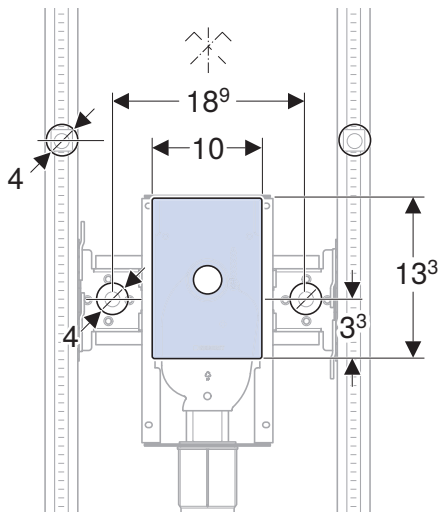
**i**



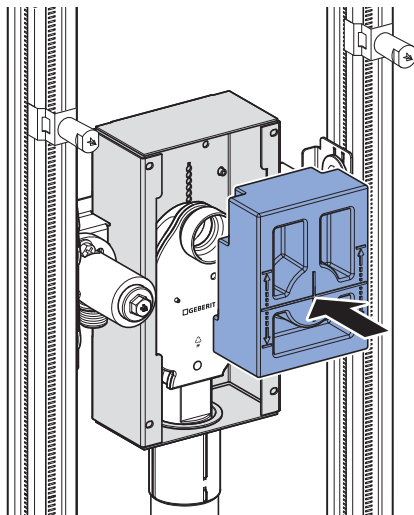
**7**



**i**



**6**





---

**Geberit International AG**  
**Schachenstrasse 77, CH-8645 Jona**  
**documentation@geberit.com**  
**www.geberit.com**